

Software Switch Kit

PEL-034

ASSEMBLY INSTRUCTION



ISO-9001 CERTIFIED MANUFACTURER

GW INSTEK

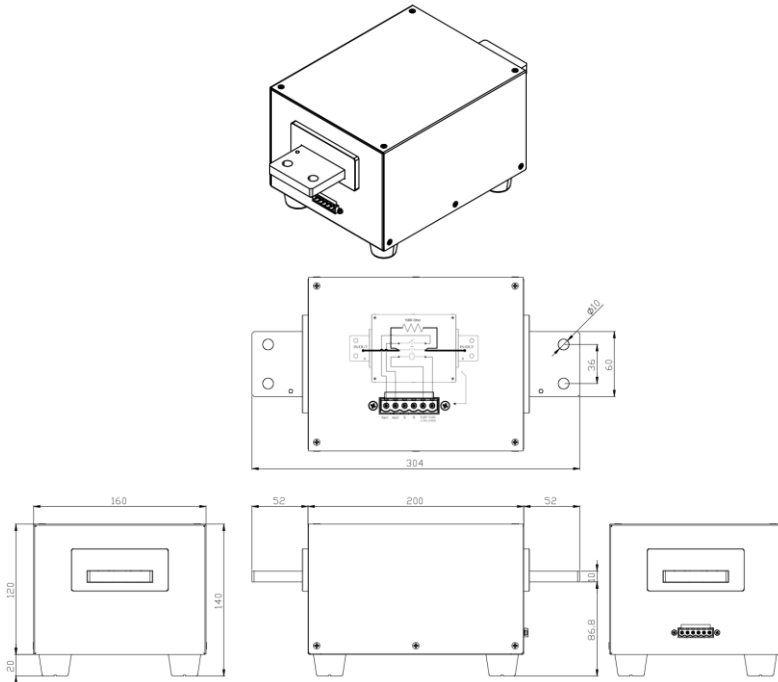
This manual contains proprietary information, which is protected by copyright. All rights are reserved. No part of this manual may be photocopied, reproduced or translated to another language without prior written consent of Good Will company.

The information in this manual was correct at the time of printing. However, Good Will continues to improve products and reserves the rights to change specification, equipment, and maintenance procedures at any time without notice.

Good Will Instrument Co., Ltd.
No. 7-1, Jhongsing Rd., Tucheng Dist., New Taipei City 236, Taiwan.

Description

PEL-034 is soft start switch kit for use with dc load.



Specification

Max. Voltage: 1250 Vdc

Max. Current: 300 Adc

Max. ON resistance: 1m Ohm

Typ. OFF resistance: 20K Ohm +/- 5%

Coil Voltage: 24 Vdc 6W

Aux Max. Voltage: 12 Vdc

Aux Max Current: 100 mA

Soft-start Switch Kit Accessories

Description	Qty.
PEL-013 flexible terminal cover	1
RND screw M4 * 0.7+S+P L=14mm NI	2
Hexagonal screws M8 * 1.25 L=35mm NI	4
Nut M8 * 1.25 NI	4
Washer inside DIA=8.5 outside	8
Spring washer inside φ8	4
TRML Block 2ESDV-06P, Dinkle	1

Soft-start Switch Kit Assembly

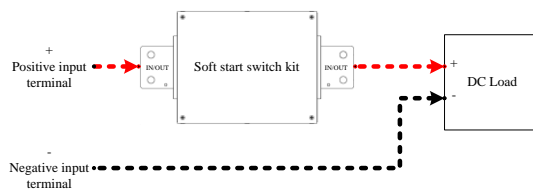


Note

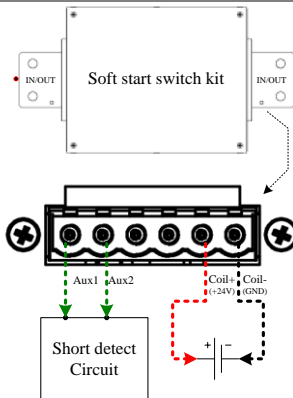
Make sure that power switches on all of the devices are turned off before proceeding.

Step

1. Connect the positive terminal of the DC load input to either IN/OUT terminal of the soft-start switch kit. Connect the other terminal of the kit to the positive output terminal of the DUT. Then, connect the negative output of the DUT to the negative terminal of the DC load.



2. One side of the green terminal on the soft-start switch kit is used for “switch control power” and “the secondary switch input”. When 24V control power is applied, the soft-start switch turns ON (shorts). At the same time, the secondary switch also turns ON(shorts), which can be used to detect the activation status of the soft-start switch.



3. Assembly of the soft tart switch kit is complete.
4. The internal structure diagram of the PEL-034 soft start switch is shown in the figure below.

