

Rack Adapter Panel

GRA-426

GW INSTEK

Assembly Manual

GW INSTEK PART NO. 82RA-42600M01

This assembly manual contains proprietary information, which is protected by copyrights. All rights are reserved. No part of this manual may be photocopied, reproduced or translated to another language without prior written consent of Good Will company.

The information in this manual was correct at the time of printing. However, Good Will continues to improve products and reserves the rights to change specification, equipment, and maintenance procedures at any time without notice.

Good Will Instrument Co., Ltd.
No. 7-1, Jhongsing Rd., Tucheng Dist., New Taipei City 236, Taiwan.



ISO-9001 CERTIFIED MANUFACTURER

GW INSTEK

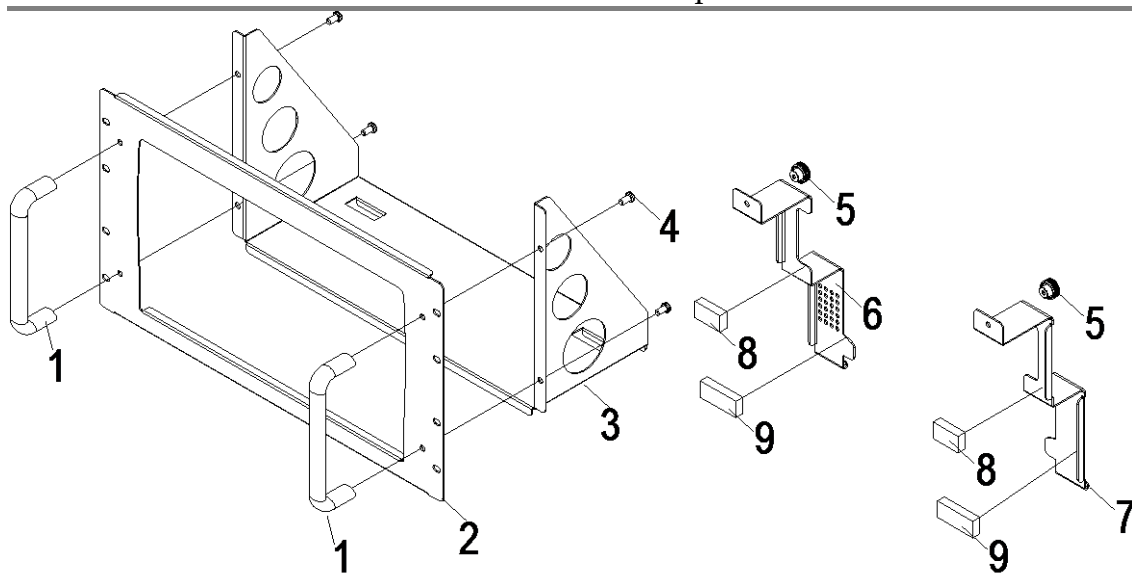
GRA-426

Overview

The GRA-426 rack mount is suited for the GDS-2000E and GDS-1000B. The GRA-426 is designed for use with standard sized rack units.

Rack Mount Adapter Component List and Assembly

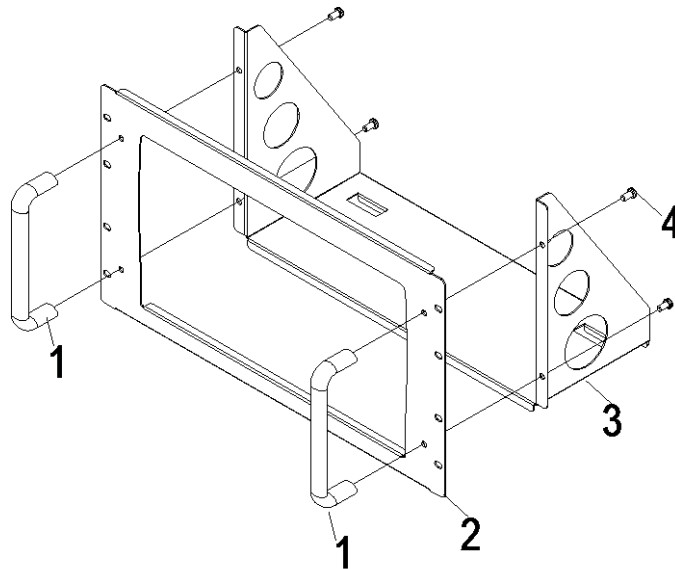
Description Please check to make sure all the components of the GRA-426 rack mount kit are provided.



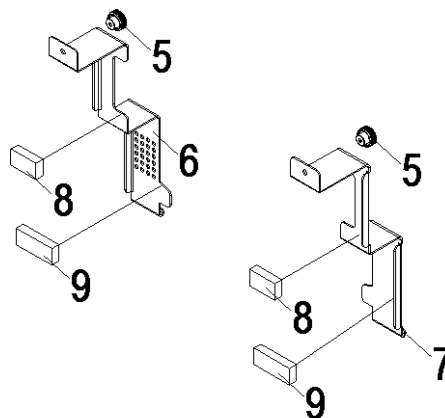
GRA-426 Assembly	Item	Part NO.	Description	QTY
	1	62RA-411HD101	CA MS-740-20-160, U HANDLE, 160mm, AL, RoHS	2
	2	62RA-426FP101	CA GRA-426 FRONT PLATE, RoHS	1
	3	62RA-426LO101	CA GRA-426 BOTTOM COVER, RoHS	1
	4	594B-06012ZS1	SCREW BMS +, M6*12, ISO, ZINC, RoHS	4
	5	6010-L00040S1	NUT (Embossed) MS-2031-20-M4, 20@ 13.5mm PLASTIC	2
	6	62RA-426HP101	CA GRA-426 LEFT HP, RoHS	1
	7	62RA-426HP201	CA GRA-426 RIGHT HP, RoHS	1
	8	57RG-20B03701	SPONGE GRA-420 35*20*10T, BLACK, RoHS	2
	9	57RG-20B03801	SPONGE GRA-420 50*20*10T, BLACK, RoHS	2

Assembly

- Initial setup
1. Connect the handle (62RA-411HD101) to the front plate (62RA-426FP101) and the bottom cover(62RA-426LO101) with "594B-06012ZS1" screws.

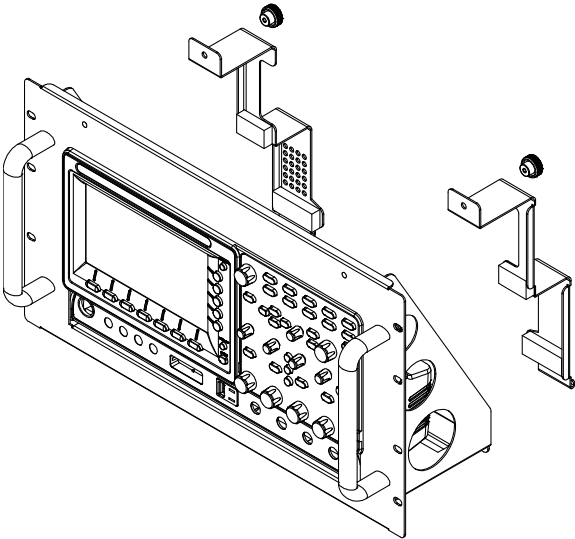


2. Connect the top (57RG-20B03701) and bottom(57RG-20B03801) foam squares to the left(62RA-426HP101) and right(62RA-426HP201) fasteners.

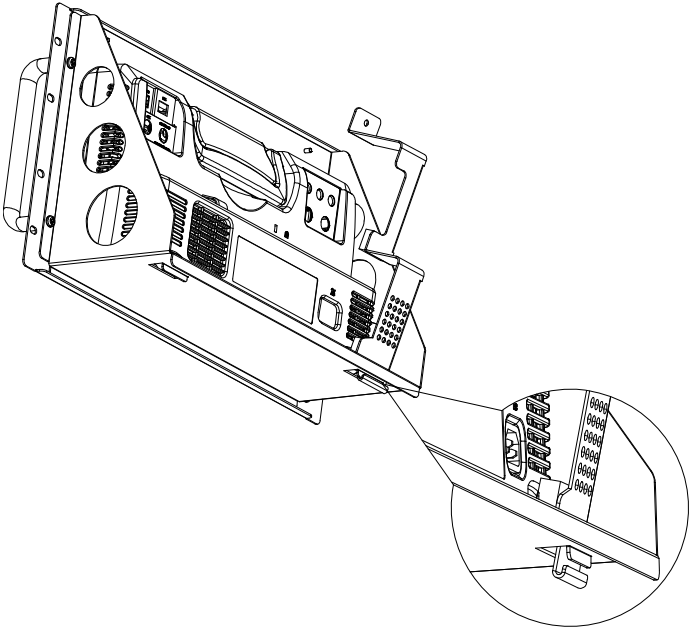


Instrument
insertion

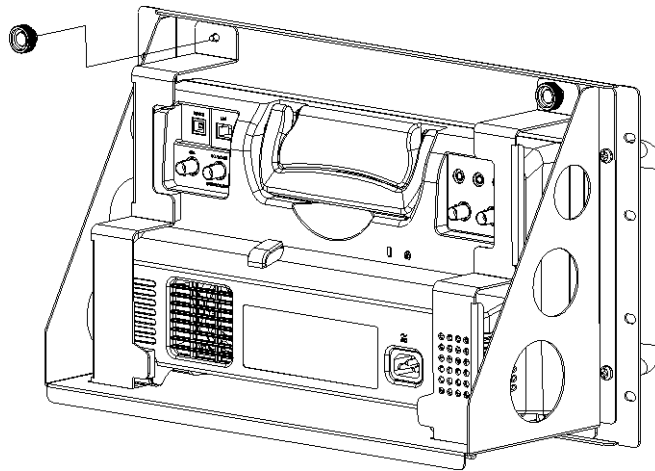
- 1. Place the scope onto the floor of the rack, against the window.



- 2. Insert the left and right fasteners into the two holes in the bottom cover.



3. Screw the left and right fasteners to the rack with the embossed nuts(6010-L00040S1).



Appearance

GRA-426

