

# Isolated Transformer

GIT-5060

---

## USER MANUAL

GW INSTEK PART NO.



ISO-9001 CERTIFIED MANUFACTURER

**GW INSTEK**

This manual contains proprietary information, which is protected by copyright. All rights are reserved. No part of this manual may be photocopied, reproduced or translated to another language without prior written consent of Good Will company.

The information in this manual was correct at the time of printing. However, Good Will continues to improve products and reserves the rights to change specification, equipment, and maintenance procedures at any time without notice.

**Good Will Instrument Co., Ltd.**  
**No. 7-1, Jhongsing Rd., Tucheng Dist., New Taipei City 236, Taiwan**

# Table of Contents

<b>O</b> VERVIEW .....	2
<b>P</b> ACKAGE CONTENTS .....	3
<b>C</b> ONDUCTION TESTING SYSTEM .....	4
<b>P</b> RODUCT AND ACCESSORIES .....	5
<b>A</b> PPENDIX .....	6
GIT-5060 Specifications .....	6

# VERVIEW

For conduction measurements, there is a lot of leakage current due to the nature of the artificial mains network design principal. The network must be well grounded, otherwise a potential safety hazard may exist. For actual measurements, isolated transformers are always needed to avoid dangerous conditions. With a 900VA operation capacity, 5A current limit with a built-in air switch, the GIT-5060 isolated transformer is able to meet most measurement requirements.

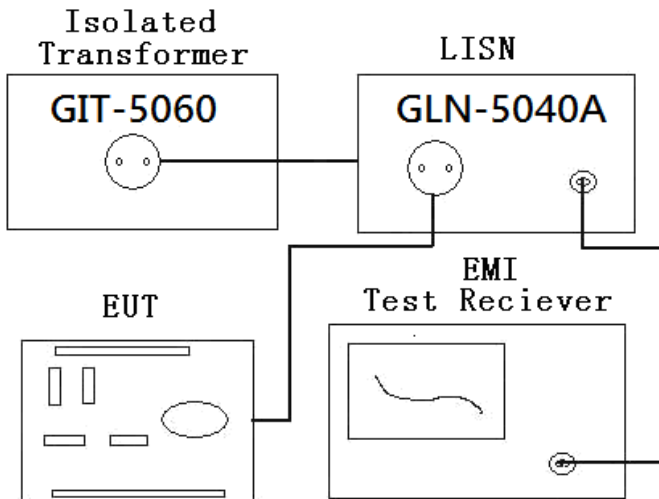
# P PACKAGE CONTENTS

---

Item	Quantity
Isolated transformer main unit	1 Unit
AC power cables	1 Pcs
User manual	1 Book
Warranty Card	1 Paper

# C ONDUCTION TESTING SYSTEM

---



# P RODUCT AND ACCESSORIES



Isolated Transformer Panel

Power supply  
connector



National standard power connector

Measurement  
Air switch



5A current limit threshold to ensure  
safety.

# APPENDIX

## GIT-5060 Specifications

Capacity	900VA
Max. voltage	250V
Max. current	4A
Input voltage frequency	50~60Hz
Air switch current limiting threshold value	5A
EUT power supply connector	Universal standard power socket
Working temperature range	-15°C~45°C
Storage temperature	-40°C~70°C
Dimensions	338mm(L)×237mm(W)×133mm(H)
Weight	11.5kg
Certification	CE(EN61010-1:2010 EN61326-1:2013 EN61000-3-2:2014 EN61000-3-3:2013)