

DC Bias Test Fixture

LCR-16, LCR-17

QUICK START GUIDE

GW INSTEK PART NO. 82CR-17000Mo1



ISO-9001 CERTIFIED MANUFACTURER

GW INSTEK

This manual contains proprietary information, which is protected by copyright. All rights are reserved. No part of this manual may be photocopied, reproduced or translated to another language without prior written consent of Good Will Corporation.

The information in this manual was correct at the time of printing. However, Good Will continues to improve its products and therefore reserves the right to change the specifications, equipment, and maintenance procedures at any time without notice.

Good Will Instrument Co., Ltd. No. 7-1, Jhongsing Rd., Tucheng Dist., New Taipei City 236, Taiwan.

OVERVIEW

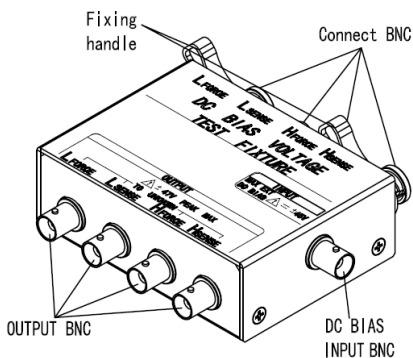
The LCR-16 DC Bias Voltage Test Fixture/LCR-17 DC Bias Current Test Fixture should be installed between the LCR meter and the test fixture. The DC Bias Fixtures are used to pass additional DC bias voltage or current to test components.

Specifications

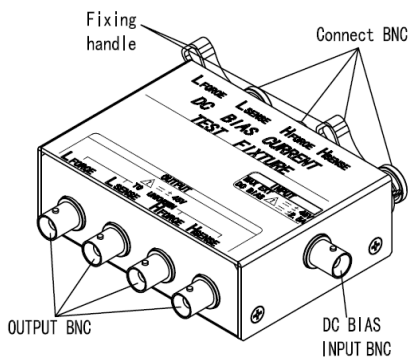
Model	LCR-16	LCR-17
External DC Bias	DC $\pm 45V$	DC $\pm 2.5A$
Limit (Current/Voltage)	DC $\pm 20mA$	DC $\pm 45V$
Measurement Frequency	40Hz ~ 1MHz	
Internal Capacitance	1mF	N/A
Internal Inductance	N/A	330uH
Dimensions:	113W x 34H x 106D mm	
Weight	250g	310g
Operating Environment		
Temperature	0~50°C	
Relative Humidity	<70%RH	

Fixture Overview

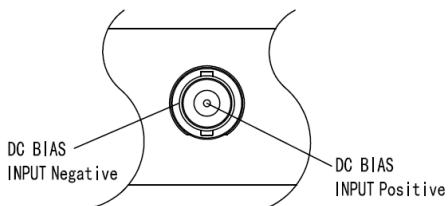
LCR-16 Overview



LCR-17 Overview



LCR-16/LCR-17 DC Bias Input

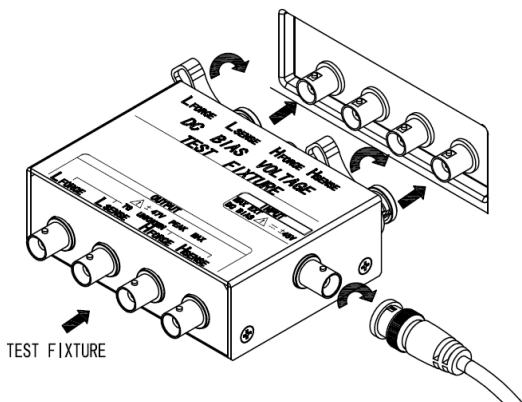


INSTALLATION

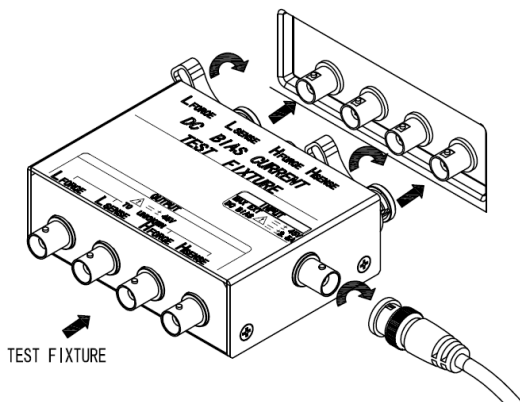
LCR-16/LCR-17

1. Connect the DC Bias Test Fixture to the LCR meter's BNC terminals.
2. Next, connect the test fixture to the DC Bias Test Fixture.
3. Confirm that the output is turned off from the power supply used for the DC bias. Connect the power supply BNC cable to the input of the DC Bias Test Fixture.

LCR-16 Installation



LCR-17 Installation



M EASUREMENT



WARNING Before measurement, be sure to read the operating instructions to avoid danger.

LCR-16

1. Place the component in the test fixture.
2. Increase the voltage from the power supply gradually from 0V to the desired voltage value.
3. Perform measurement on the component.
4. Reduce the power supply voltage gradually from the set voltage to 0V.
5. Remove the component from the test fixture.

LCR-17

1. Place the component in the test fixture.
2. Increase the current from the power supply gradually from 0A to the desired current value.
3. Perform measurement on the component.
4. Reduce the power supply current gradually from the set current to 0A.
5. Remove the component from the test fixture.

**NOTE**

Do not remove the BNC cable from the DC Bias input before turning off power to the test component.

Please note that when using the DC bias fixture, the test component may cause electric shock.

Do not perform zeroing or short calibration when the DC Bias input is used.

When the DC Bias input is used, do not turn on the LCR meter's internal DC Bias settings.
